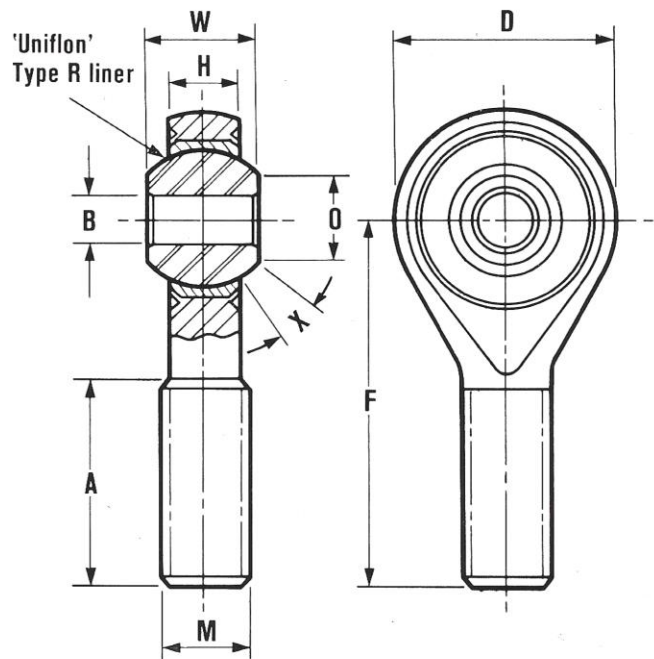


# Rosejoint

## self lubricating rod end bearings

### Specification

|                      |  |
|----------------------|--|
| <b>Housing</b>       | Carbon steel.<br>Phosphated.   |
| <b>Inner housing</b> | Carbon steel.<br>Phosphated.   |
| <b>Ball</b>          | 1% carbon chromium<br>steel. Chrome<br>plated on<br>spherical surface. |
| <b>Liner</b>         | 'Uniflon' type R —<br>reinforced P.T.F.E.<br>fibre.                    |



### RC series

All dimensions in inches

| Bearing number | B                | W              | H              | O              | D              | F              | A             | M           | X          | Ball diam | Maximum static radial load in pounds approx. | Weight in pounds each approx. |
|----------------|------------------|----------------|----------------|----------------|----------------|----------------|---------------|-------------|------------|-----------|--|-------------------------------|
|                | Bore             | Ball width     | Housing width  | Ball flat diam | Head diam      | Centre length  | Thread length | Thread size | Angle deg. |           |  |                               |
|                | +·0015<br>-·0005 | +·000<br>-·005 | +·005<br>-·005 |                | +·010<br>-·010 | +·015<br>-·015 | Min           | UNF<br>2A   |            |           |  |                               |
| RC 4H          | ·2500            | ·375           | ·281           | ·355           | ·812           | 1·562          | ·970          | ·250-28     | 16·5       | ·516      | 2 890  | ·055                          |
| RC 4           | ·2500            | ·375           | ·281           | ·355           | ·812           | 1·562          | ·970          | ·312-24     | 16·5       | ·516      | 3 880  | ·058                          |
| RC 5H          | ·3125            | ·437           | ·344           | ·447           | 1·000          | 1·875          | 1·220         | ·312-24     | 13·5       | ·625      | 4 680  | ·092                          |
| RC 5           | ·3125            | ·437           | ·344           | ·447           | 1·000          | 1·875          | 1·220         | ·375-24     | 13·5       | ·625      | 6 470  | ·100                          |
| RC 6H          | ·3750            | ·500           | ·406           | ·517           | 1·125          | 1·938          | 1·187         | ·375-24     | 12·0       | ·719      | 7 070  | ·137                          |
| RC 6           | ·3750            | ·500           | ·406           | ·517           | 1·125          | 1·938          | 1·187         | ·437-20     | 12·0       | ·719      | 8 190  | ·151                          |
| RC 6F          | ·3750            | ·500           | ·406           | ·517           | 1·125          | 1·938          | 1·187         | ·500-20     | 12·0       | ·719      | 8 190  | ·167                          |
| RC 6E          | ·3750            | ·500           | ·406           | ·517           | 1·125          | 2·438          | 1·720         | ·500-20     | 12·0       | ·719      | 8 190  | ·195                          |
| RC 7H          | ·4375            | ·562           | ·437           | ·586           | 1·250          | 2·125          | 1·312         | ·437-20     | 13·0       | ·812      | 9 850  | ·190                          |
| RC 7           | ·4375            | ·562           | ·437           | ·586           | 1·250          | 2·125          | 1·312         | ·500-20     | 13·0       | ·812      | 10 050                                       | ·208                          |
| RC 8H          | ·5000            | ·625           | ·500           | ·698           | 1·375          | 2·438          | 1·470         | ·500-20     | 11·0       | ·937      | 11 200                                       | ·270                          |
| RC 8           | ·5000            | ·625           | ·500           | ·698           | 1·375          | 2·438          | 1·470         | ·625-18     | 11·0       | ·937      | 11 200                                       | ·310                          |
| RC 10H         | ·6250            | ·750           | ·562           | ·832           | 1·625          | 2·625          | 1·595         | ·625-18     | 13·5       | 1·125     | 14 700                                       | ·494                          |
| RC 10          | ·6250            | ·750           | ·562           | ·832           | 1·625          | 2·625          | 1·595         | ·750-16     | 13·5       | 1·125     | 14 700                                       | ·555                          |

For left hand thread insert 'L' in bearing number, e.g. RCL 5H.

**Locknuts:** Standard locknuts are available for these rod ends for both right and left hand.